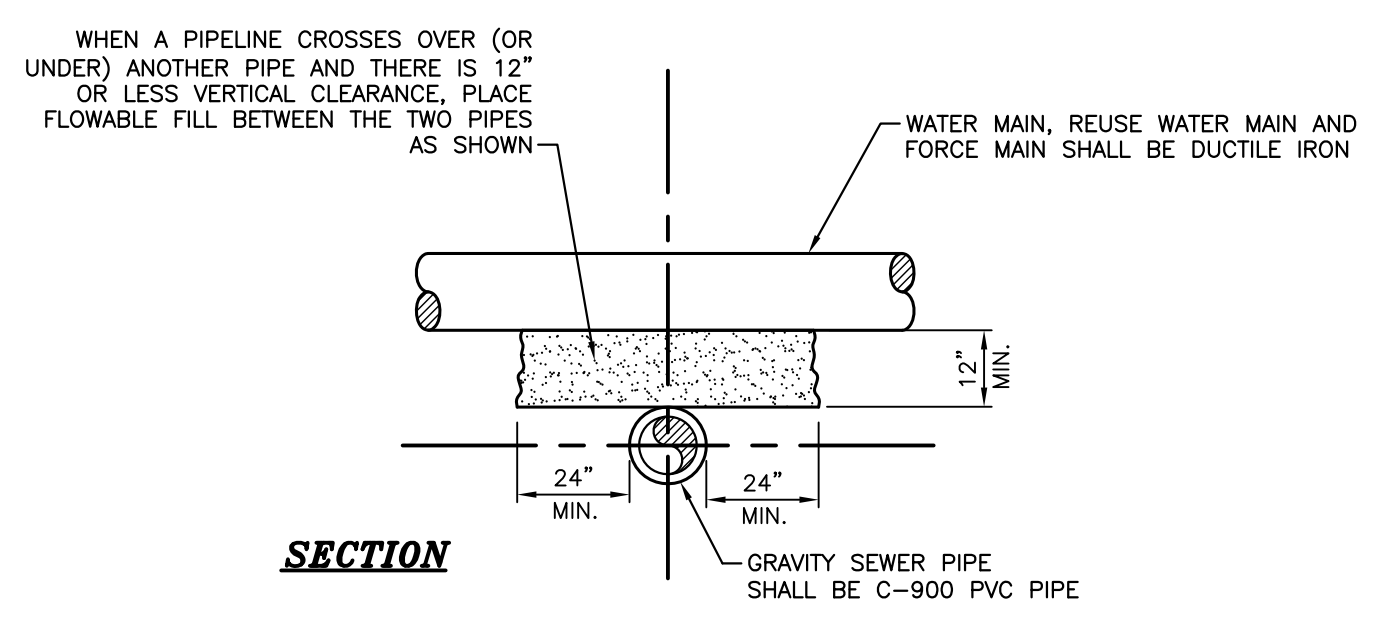
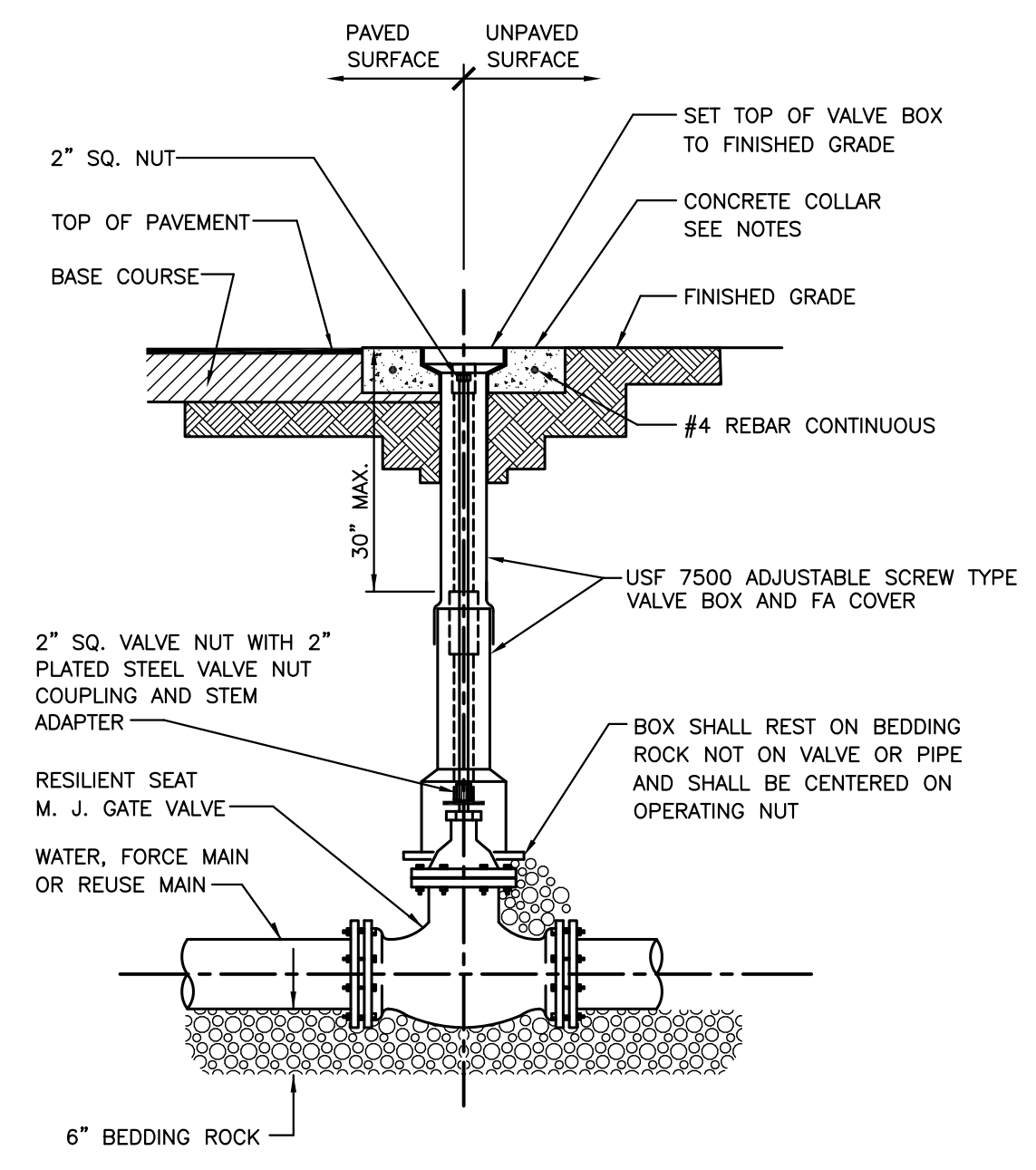


- NOTES:**
1. ALL BEARING SURFACES TO BE MACHINED.
 2. MINIMUM WEIGHT 1480 LBS.
 3. U.S.F. 1341-AHM, TYPE C OR APPROVED EQUAL.
 4. LID TO BE LABELED "ARV - CITY OF MIRAMAR - POTABLE WATER"; "ARV - CITY OF MIRAMAR - REUSE WATER"; OR "ARV - CITY OF MIRAMAR - FORCE MAIN".

AIR RELEASE VAULT ACCESS COVER

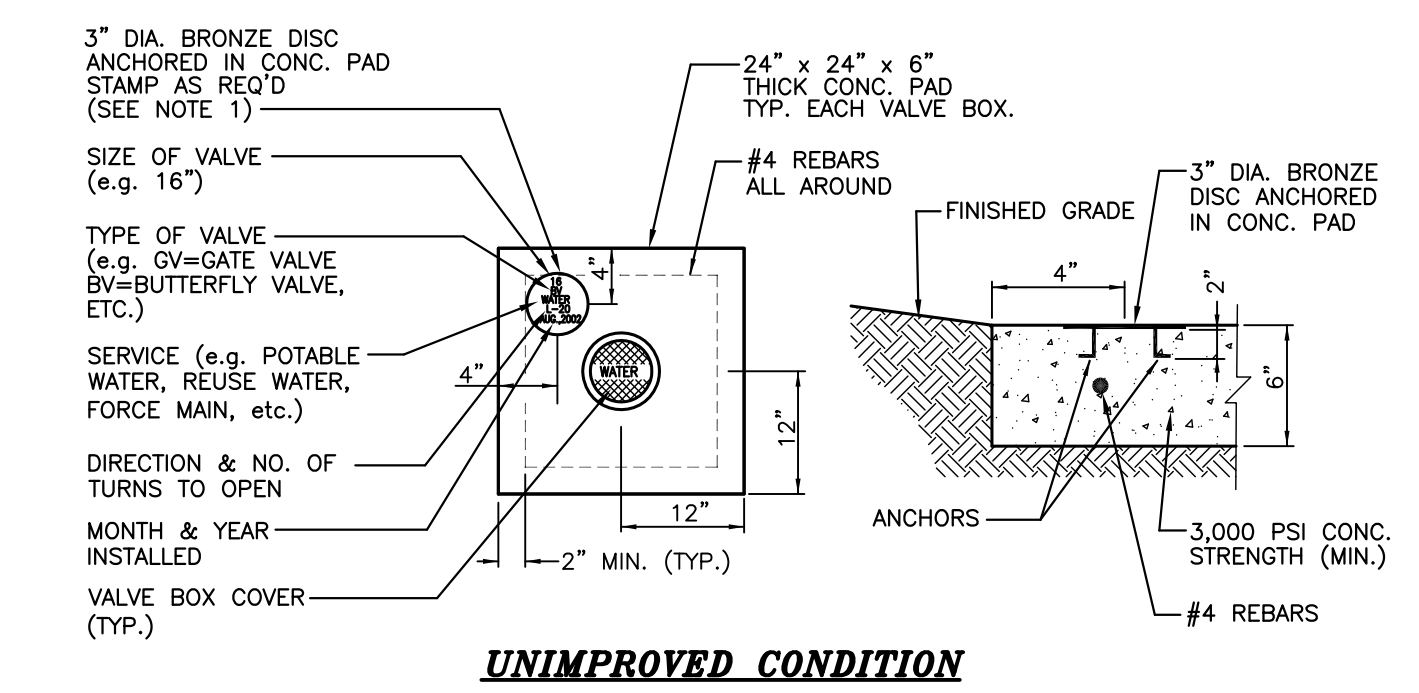


FLOWABLE FILL BEDDING BETWEEN CROSSING PIPES

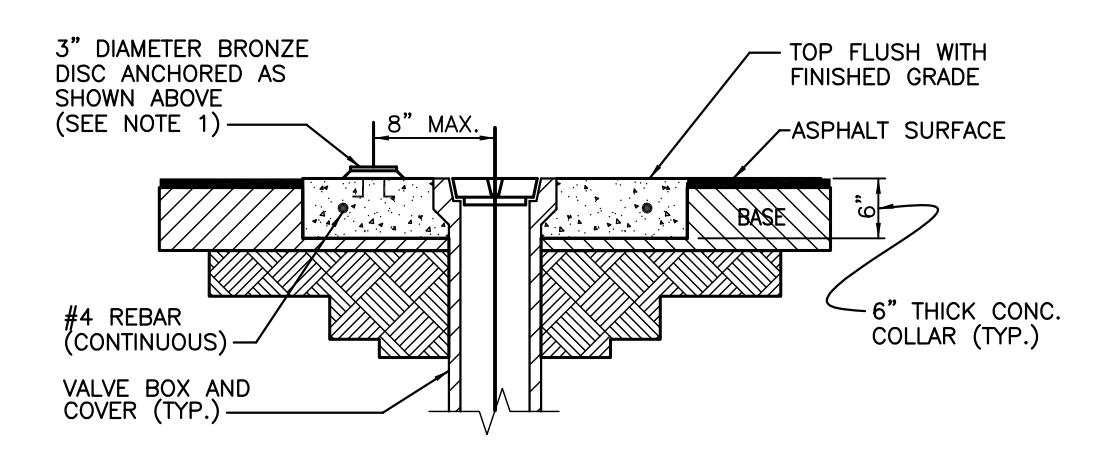


- NOTES:**
1. VALVE COLLAR SHALL BE 24"x24"x6" (MIN.) CONCRETE COLLAR PER CITY'S STANDARD DETAIL.
 2. WHEN WATER VALVE IS NOT LOCATED IN PAVEMENT, PLACE A WHITE PAVEMENT REFLECTOR MARKER IN THE DRIVE LANE, ADJACENT TO THE VALVE.
 3. VALVE BOX COVER SHALL BE PAINTED BLUE WITH THE DESIGNATION "WATER"; GREEN WITH THE DESIGNATION "SEWER"; PURPLE WITH THE DESIGNATION "REUSE".

GATE VALVE AND VALVE BOX DETAIL



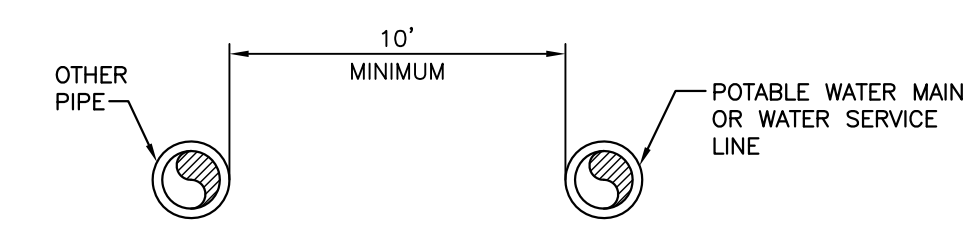
UNIMPROVED CONDITION



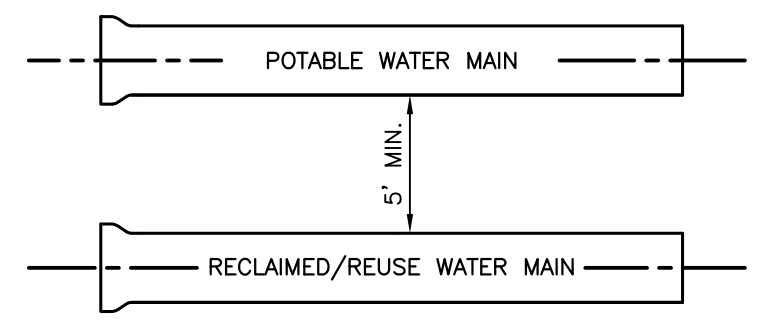
ALTERNATIVE FOR PAVED SURFACE

- NOTES:**
1. BRONZE IDENTIFICATION DISC SHALL BE REQUIRED FOR ALL VALVES, AND SHALL INDICATE: SIZE OF VALVE, TYPE OF VALVE, SERVICE, DIRECTION AND NUMBER OF TURNS TO OPEN, AND DATE INSTALLED.

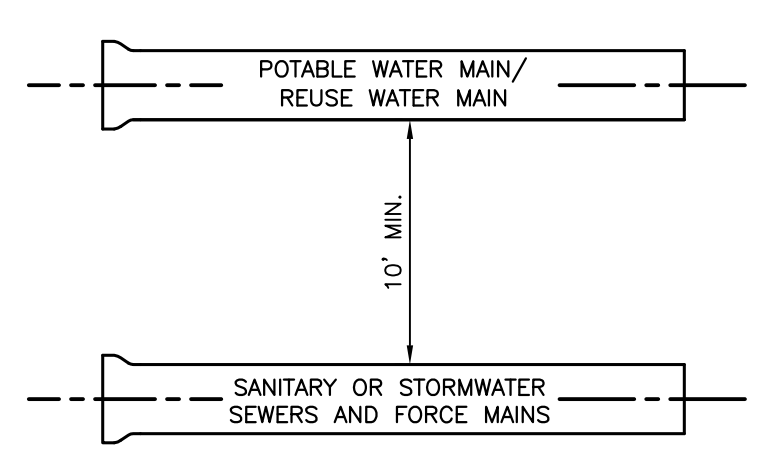
VALVE BOX CONCRETE COLLAR DETAIL



HORIZONTAL SEPARATION 10 FEET OR GREATER

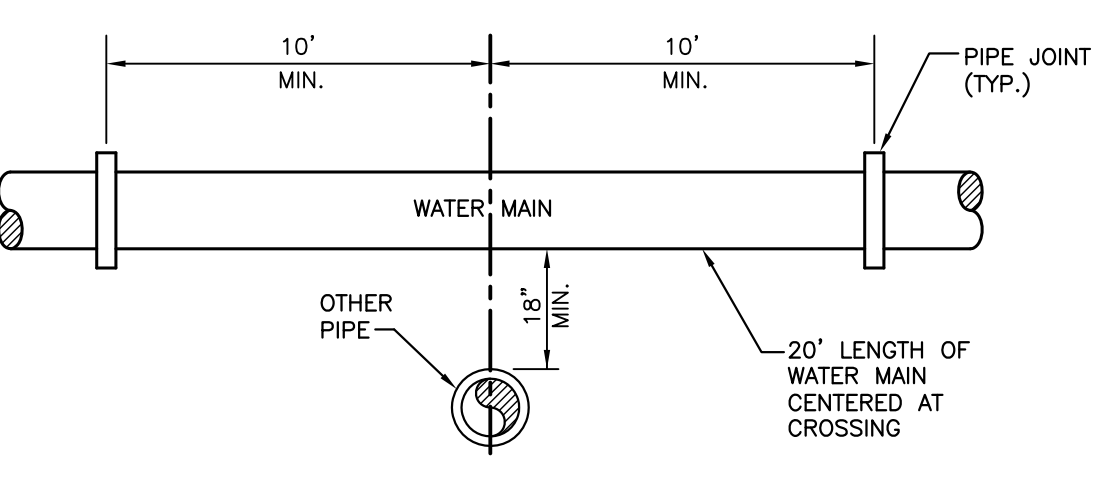


A MINIMUM 5' CLEAR HORIZONTAL SEPARATION SHALL BE MAINTAINED BETWEEN RECLAIMED/REUSE WATER MAINS AND POTABLE WATER MAINS.



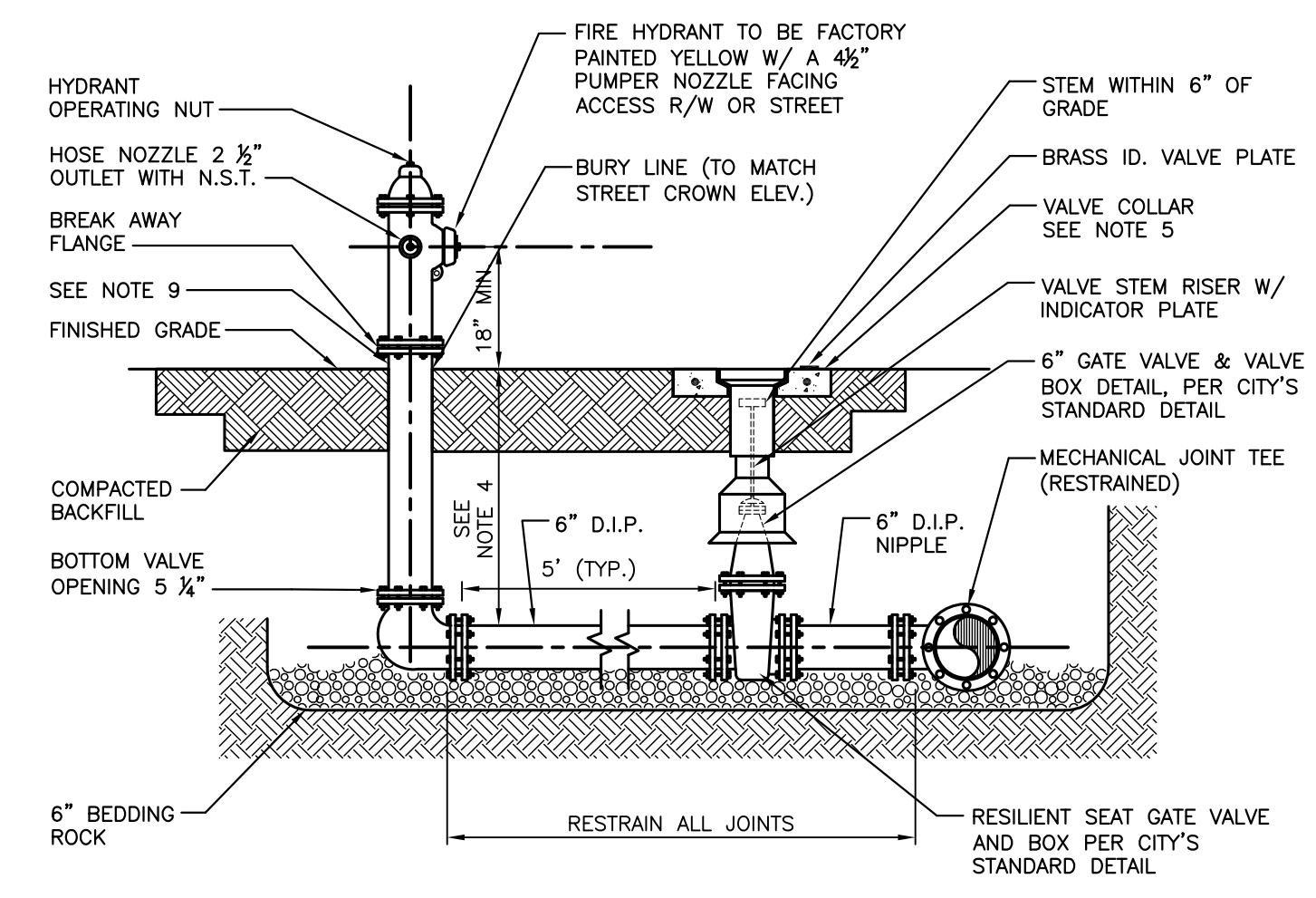
A MINIMUM 10' CLEAR HORIZONTAL SEPARATION SHALL BE MAINTAINED BETWEEN POTABLE WATER MAINS/REUSE WATER MAINS AND SANITARY OR STORMWATER SEWERS AND FORCE MAINS.

MIN. HORZ. SEPARATION REQUIREMENTS FOR POTABLE WATER, RECLAIMED, STORMWATER & SEWER LINES



VERTICAL CLEARANCE AT CROSSING 18 INCHES OR GREATER

DETAILS FOR PROTECTION OF POTABLE WATER SUPPLY

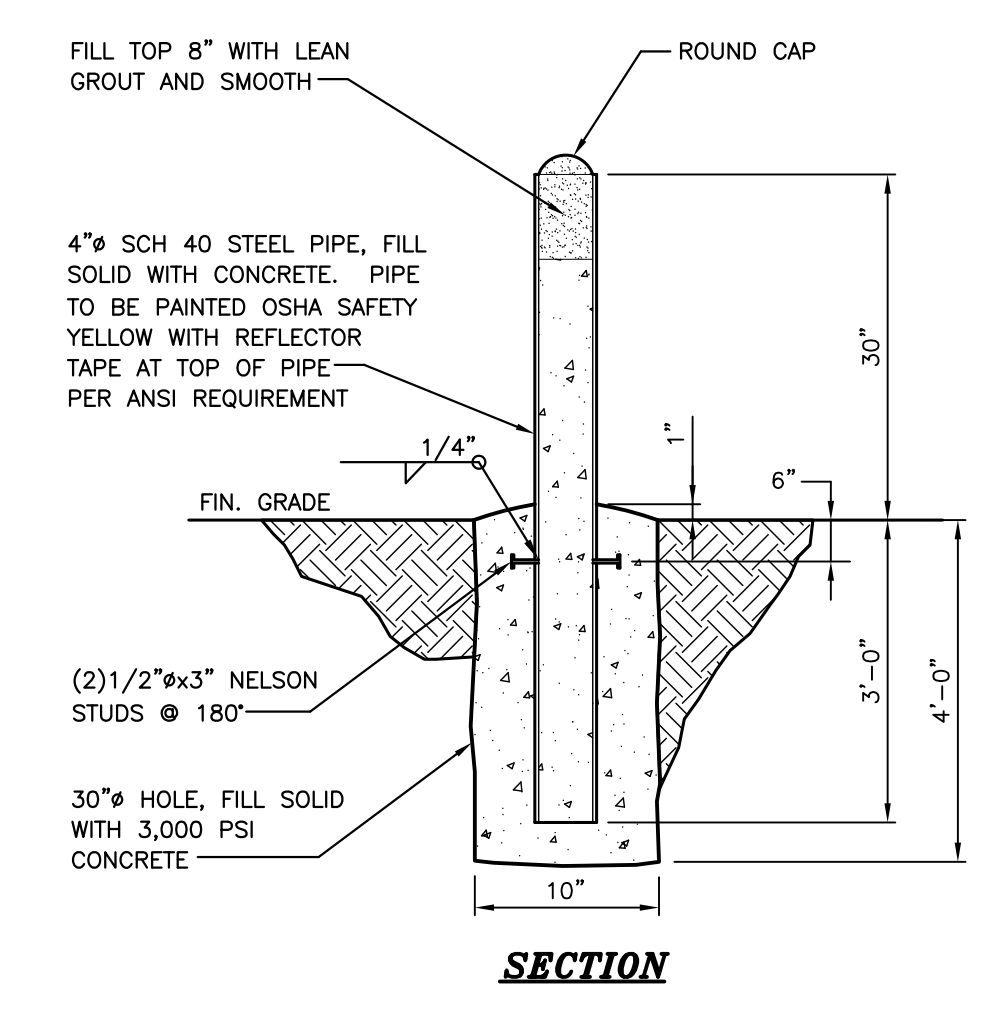


- NOTES:**
1. PIPE SHALL BE DUCTILE IRON CLASS 52. DIP SPOOL PIECES TO BE CLASS 350.
 2. ALL PIPES AND FITTINGS SHALL BE RESTRAINED MECHANICAL JOINT, MATERIAL TO BE DUCTILE IRON.
 3. HYDRANT VALVES SHALL BE INSTALLED AS CLOSE TO WATER MAIN AS POSSIBLE.
 4. DEPTH OF COVER TO TOP OF UNDERGROUND PIPING: 30" MINIMUM TYPICAL, 36" MINIMUM UNDER DRIVING SURFACES.
 5. VALVE COLLAR SHALL BE 24"x24"x6" CONCRETE COLLAR W/ 1-#4 BAR (CONT.) PER CITY'S STANDARD DETAIL.
 6. NO HYDRANT SHOULD BE LOCATED CLOSER THAN 5' TO A TYPE "D" CURB OR 7' TO A VALLEY GUTTER.
 7. GUARD POSTS AROUND FIRE HYDRANTS ARE REQUIRED WHEN HYDRANTS ARE PLACED WITH IN 6 FEET OF ALL ROADWAYS, DRIVEWAYS, TURN RADIUS, OR PARKING AREA.
 8. A BLUE REFLECTIVE PAVEMENT MARKER SHALL BE PROVIDED IN THE CENTER OF THE NEAREST LANE OF ROAD PAVEMENT ADJACENT TO ALL FIRE HYDRANT LOCATIONS.
 9. CLEARANCE BETWEEN BOTTOM OF BOLTS AND GRADE SHALL BE 6" MINIMUM.

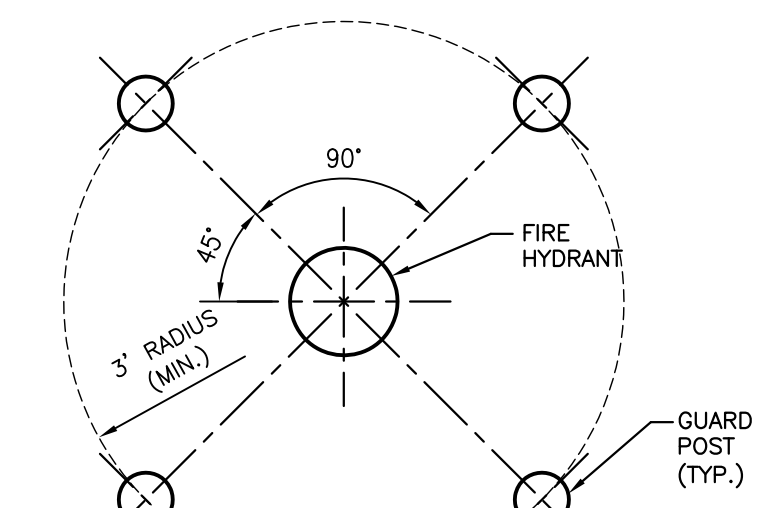
CONTRACTOR SHALL COLOR CODE THE TOP OF EACH HYDRANT INDICATED BY THE GALLONS PER MINUTE OF FLOW. THE BODY OF ALL FIRE HYDRANT SHALL BE PAINTED YELLOW (RUST-OLEUM #944 SAFETY YELLOW, O.A.E. WITH A 40 MIL DFT.) AND THE TOP COLOR CODED AS FOLLOWS:

FLOW	COLOR OF BONNETS & CAPS
1,500 GPM OR GREATER	BLUE
1,000 GPM OR GREATER	GREEN
500-1,000 GPM	ORANGE
LESS THAN 500 GPM	RED

FIRE HYDRANT ASSEMBLY DETAIL



SECTION



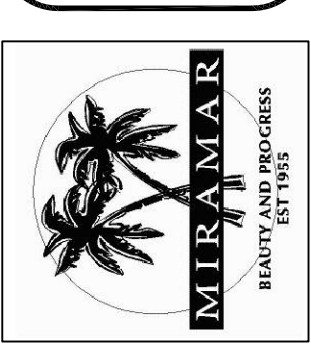
PLAN VIEW

GUARD POST DETAIL

NO.	DATE	REVISIONS	BY

UTILITIES

CITY OF MIRAMAR DEPARTMENT OF CONSTRUCTION & FACILITIES MANAGEMENT ENGINEERING STANDARDS



SCALE: N.T.S.

SHEET NO. 2 OF 11