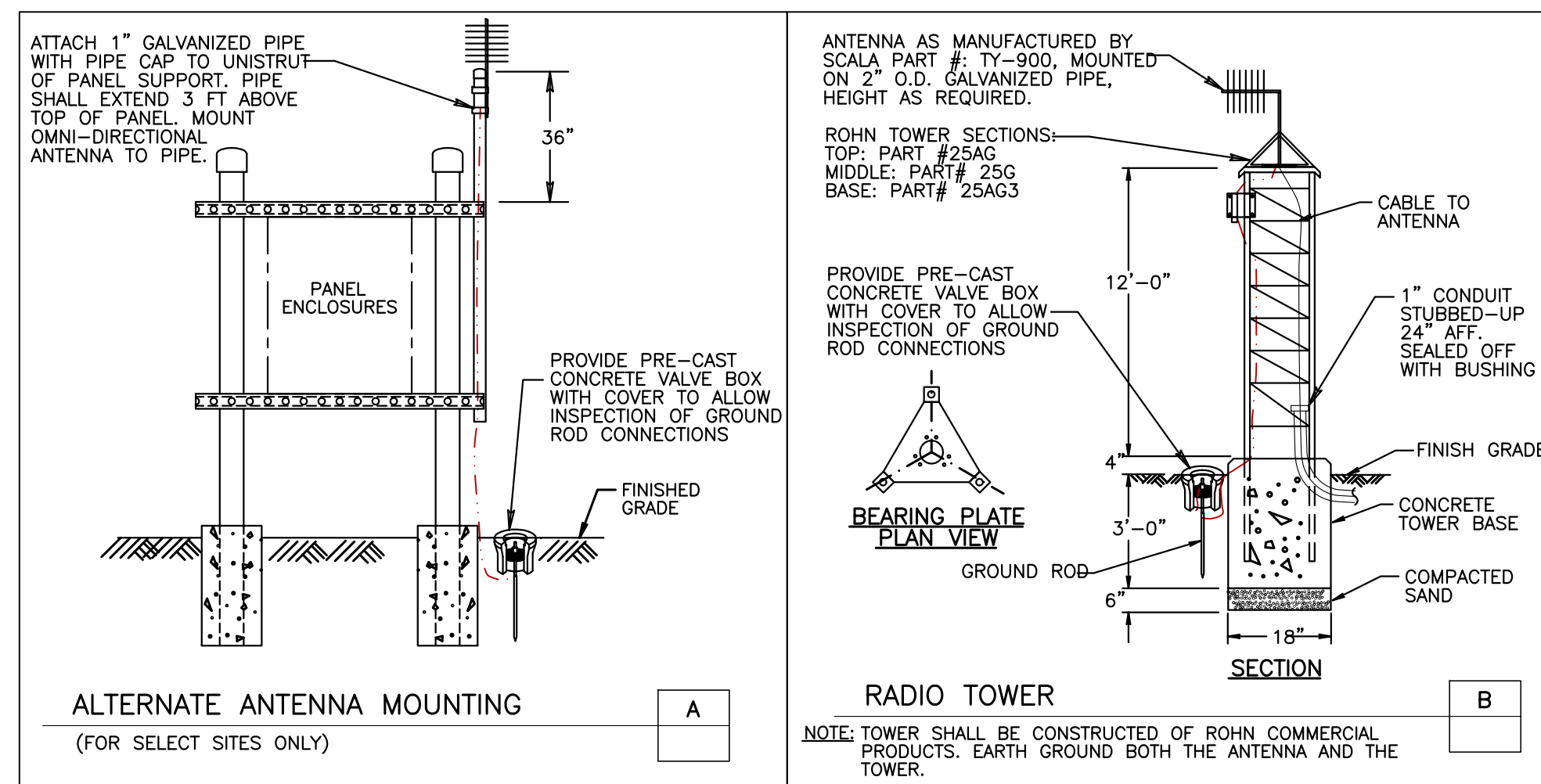
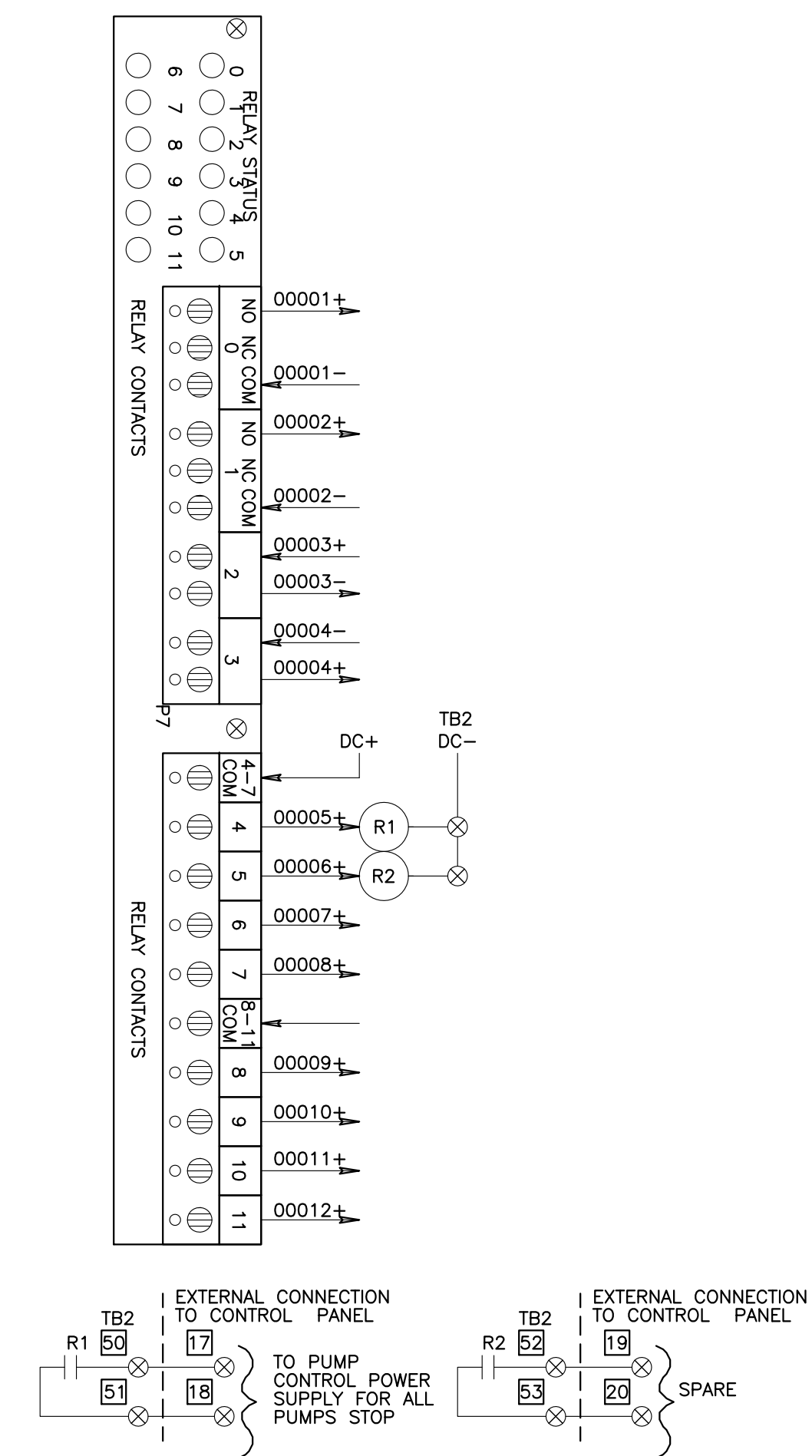
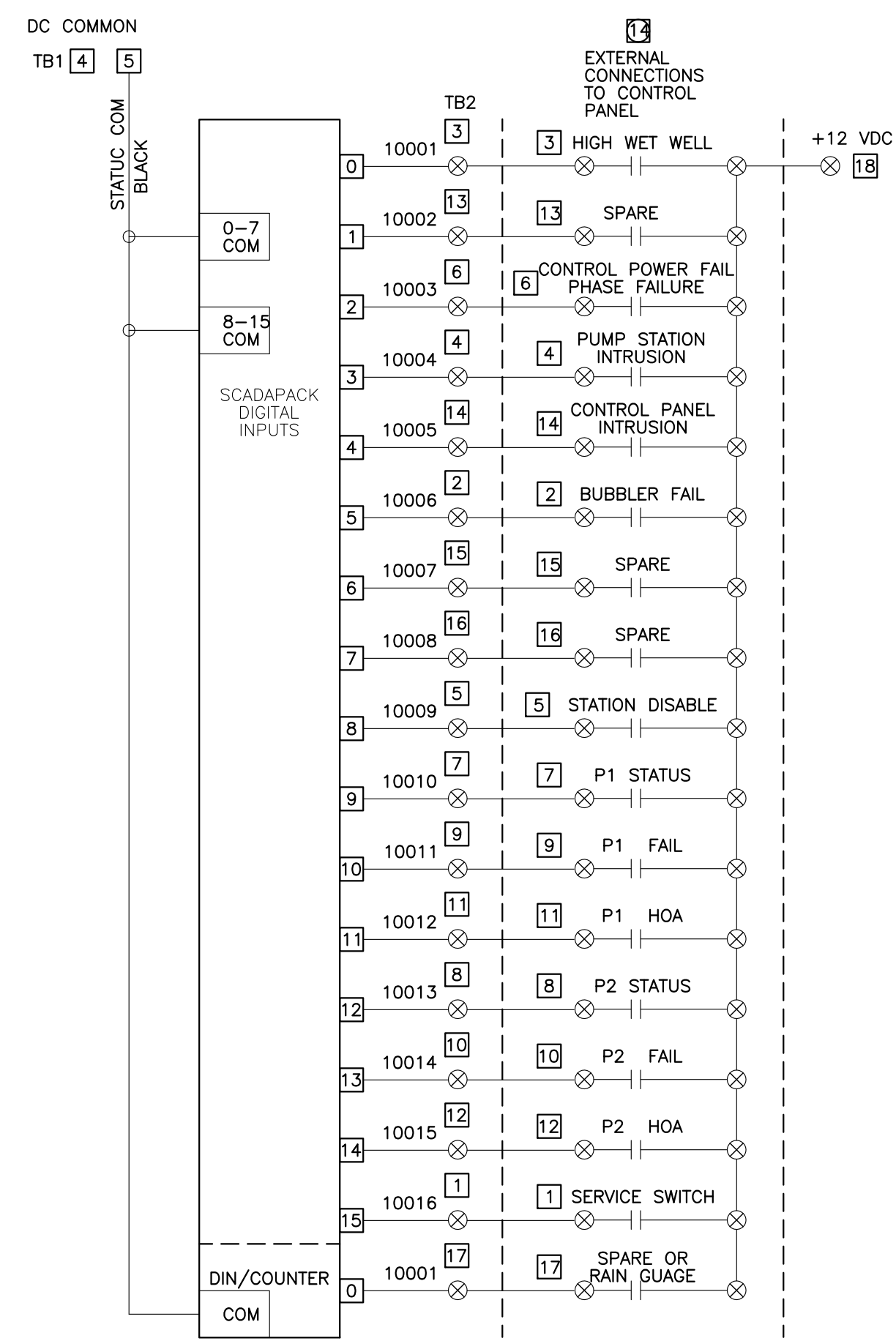
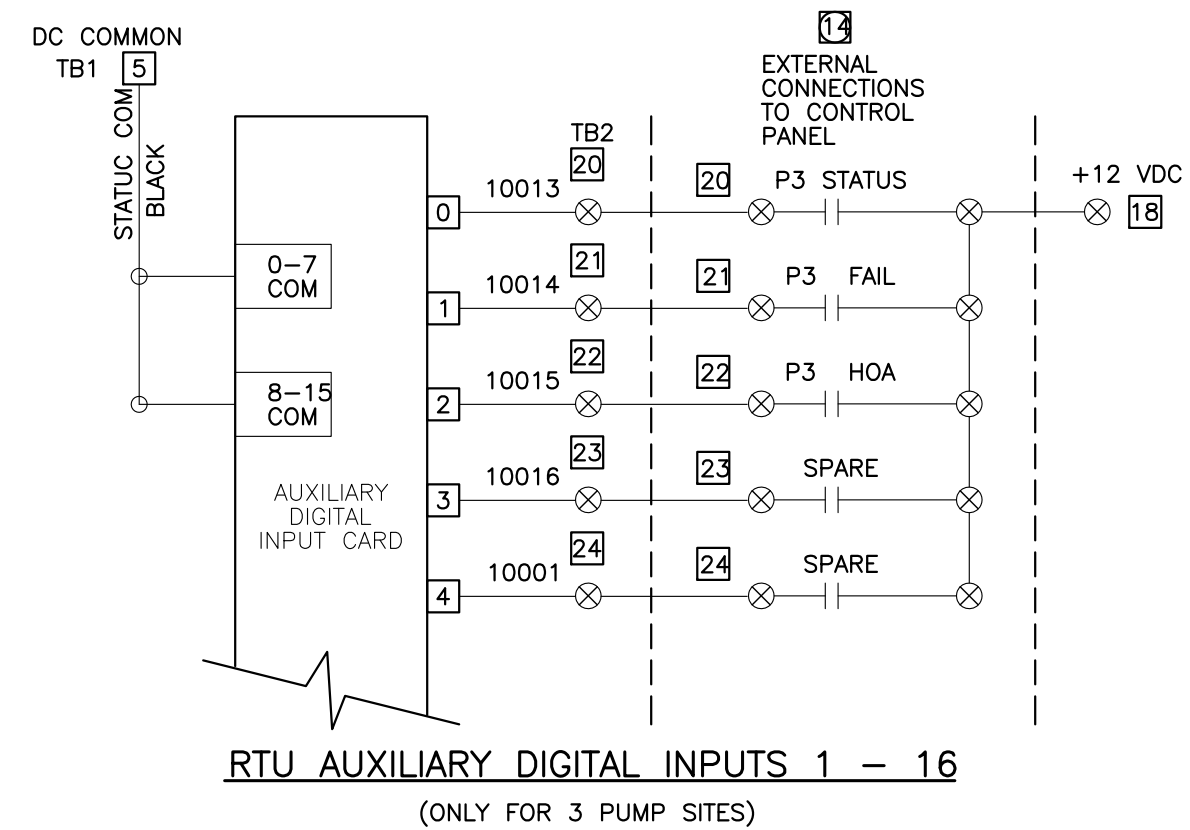
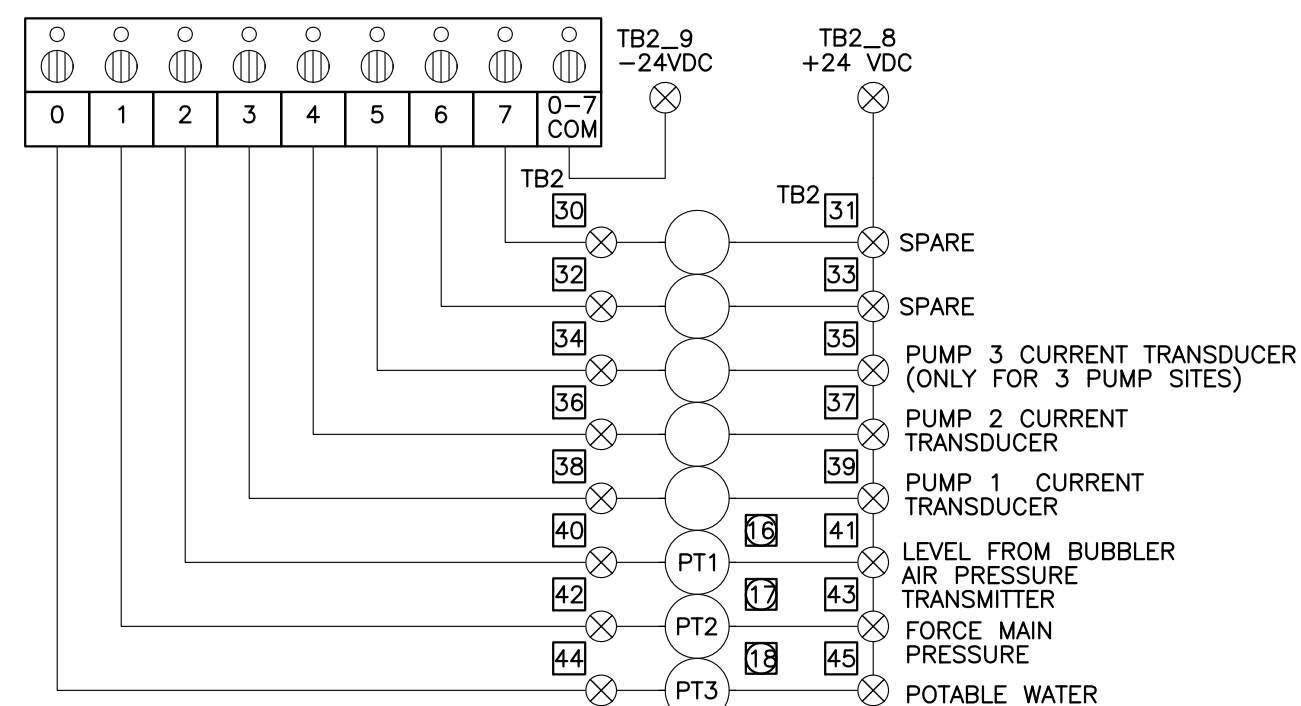
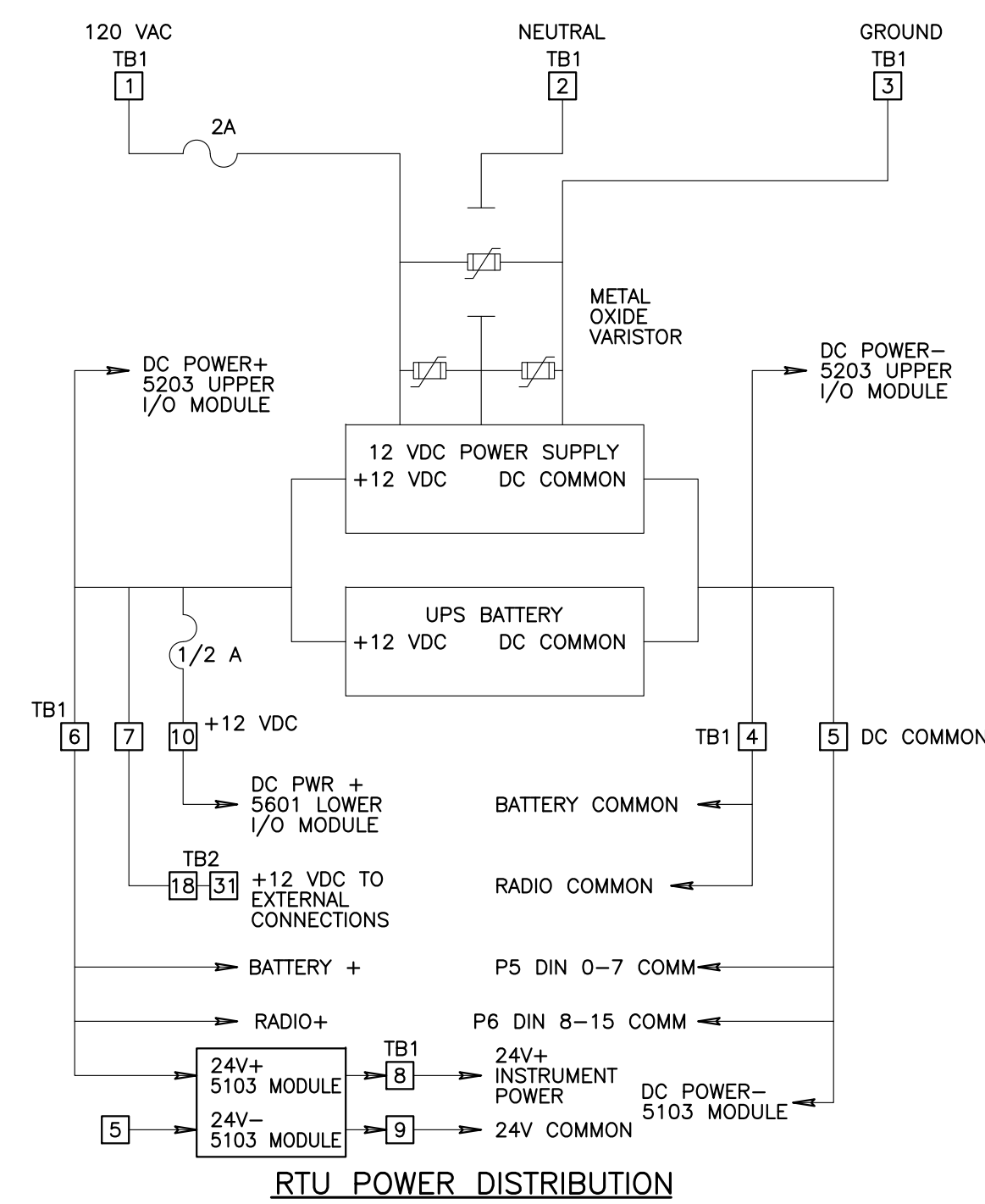


GENERAL NOTES:

- ALL CABINETS SHALL BE FABRICATED OF ALUMINUM WELDED CONSTRUCTION, WEATHERPROOF AS SHOWN, WITH NEOPRENE GASKETS.
- WATER AND FORCE MAIN PRESSURE TRANSMITTERS SHALL BE PROTECTED BY LIGHTNING SURGE ARRESTORS, AS MANUFACTURED BY EDCO MODEL NO.: SS64-036-1, OR EQUAL.
- ALL ANALOG DEVICES LOCATED OUTSIDE OF THE RTU PANEL SHALL BE CONNECTED TO LIGHTNING SURGE ARRESTORS.

NOTES:

- SCADAPACK PLC AS SUPPLIED BY ENGINEER SERVICE CORPORATION, P.O. BOX 23511, JACKSONVILLE, FL 32241. (TEL): 904-268-0482, (FAX): 904-268-3490.
- CONTROL MICROSYSTEMS 5103 POWER SUPPLY
- CONTROL MICROSYSTEMS 5403 8-CHANNEL D/I REQUIRED FOR 3 PUMP SITES
- MDS-9810 SPREAD SPECTRUM TRANSCIVER
- OMRON 12 VDC POWER SUPPLY FOR PLC
- (3) MOV'S (LIGHTNING SURGE ARRESTOR)
- TERMINAL STRIP TB1
- COOLING FAN
- POLYPHASER IS50B-LN-C2 SURGE PROTECTOR FOR THE ANTENNA.
- YUASA UPS BATTERY
- 2" WIDE WIREWAY
- RELAYS
- TERMINAL STRIP TB2
- CONTACTS LOCATED IN PUMP LOCAL CONTROL PANEL.
- AUXILIARY DISCRETE I/O CARD (FOR THOSE STATIONS EQUIPPED WITH THREE PUMPS ONLY).
- WATER PRESSURE TRANSMITTER LOCATED AT THE BACKFLOW PREVENTER, AS MANUFACTURED BY ENDRESS & HAUSER PART #: PMC-41-PC1P6H11N1
- FORCE MAIN PRESSURE TRANSMITTER LOCATED ON FORCE MAIN IN VALVE VAULT.
- LEVEL TRANSMITTER LOCATED ON BUBBLER AIR LINE IN LOCAL CONTROL PANEL, AS MANUFACTURE BY ENDRESS & HAUSER PART #:PCM-131-A22F1Q4H.
- RTU SUPPLIER TO PROVIDE 100 FT. OF (4)-2/C#16 SHLD. (600V INSULATION) CABLE AND 20 FT. OF 25 CONDUCTOR #16 THHN CABLE. PROVIDE AN EXTRA 12 CONDUCTOR #14 THHN CABLE FOR THOSE SITES WITH 3 PUMPS. CABLE SHALL HAVE NUMBERED WIRES, AS MANUFACTURED BY BELDEN, OR EQUAL.



RTU PANEL LAYOUT

NO.	DATE	REVISIONS	BY

WASTEWATER PUMP STATION

CITY OF MIRAMAR
 DEPARTMENT OF
 CONSTRUCTION & FACILITIES MANAGEMENT
 ENGINEERING STANDARDS

